



# BEVERAGE-AIR

3779 Champion Blvd., Winston-Salem, NC 27105  
1-888-845-9800 Fax# 1-336-245-6453  
<http://www.Beverage-Air.com>

SEATTLE  
RESTAURANT  
S♦T♦O♦R♦E

**HINGED GLASS DOOR  
LUMAVUE™  
MERCHANDISER SERIES  
LV49**

**MODEL:  
LV49-1-B-LED  
LV49-1-W-LED**

**CUSTOMER'S CHOICE FOR A HOT LOCATION  
Tested & Certified to Ambient Class of 100°F**

**3 Year Parts/Labor Warranty  
Additional 2 Year Compressor Warranty**

**LUMAVUE SERIES—GLASS DOOR MERCHANDISER**  
Used for merchandising and storage of product.

### CABINET CONSTRUCTION

Heavy duty construction includes white coated steel interior walls. Exterior finish is heavy-duty steel with a baked on durable coating. Choose from black or white finish.

Foamed-in-place CFC and HCFC-free polyurethane insulation enhances the structural strength of the cabinet and helps increase energy efficiency.

Modern, one-piece grille is easily removed for cleaning and servicing.

Double pane, lowE argon filled glass doors feature inside and outside panes that are tempered for added safety.

Two self-closing, hinged glass doors feature recessed, pocket door handles that provide low profile and are more aesthetically pleasing. Doors offer automatic hold-open feature.

Five white epoxy coated steel shelves per door are standard.

Brightly lighted sign panel.

### REFRIGERATION

Whisper-quiet refrigeration system uses R134a refrigerant, which is CFC and HCFC-free for compliance with environmental safety concerns.

Product temperatures from 32°F to 40°F.

### ELECTRICAL

Standard LED lighting provides hidden light source for increased product visibility. LED bulbs last up to 10 times longer compared to fluorescent bulbs and renders additional energy savings due to reduced wattage load on compressor.

Units wired at factory and ready for connection to a 115/60/1 phase, 15 amp dedicated outlet. 8' long cord and plug set



**LV49-1-B (shown with 4 shelves per section)**

### SPECIAL FEATURES

- Whisper-quiet refrigeration system
- Hinged glass doors
- Recessed, pocket door handles
- Brightly lighted sign panel
- 2010 Federal Energy Compliant
- Gravity Flo kits and Can Roller options available

### ELECTRICAL CONNECTION



115/60/1  
NEMA-5-15P

Units pre-wired at factory and include 8' long cord and plug set.



\*Note: Not all markings may apply to all model variations.

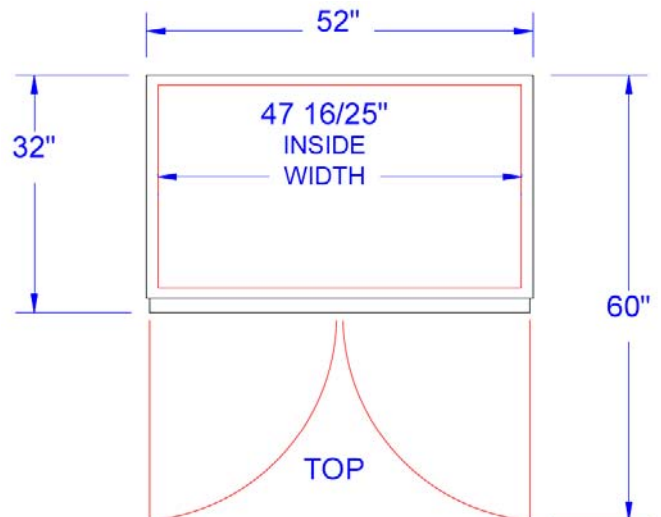
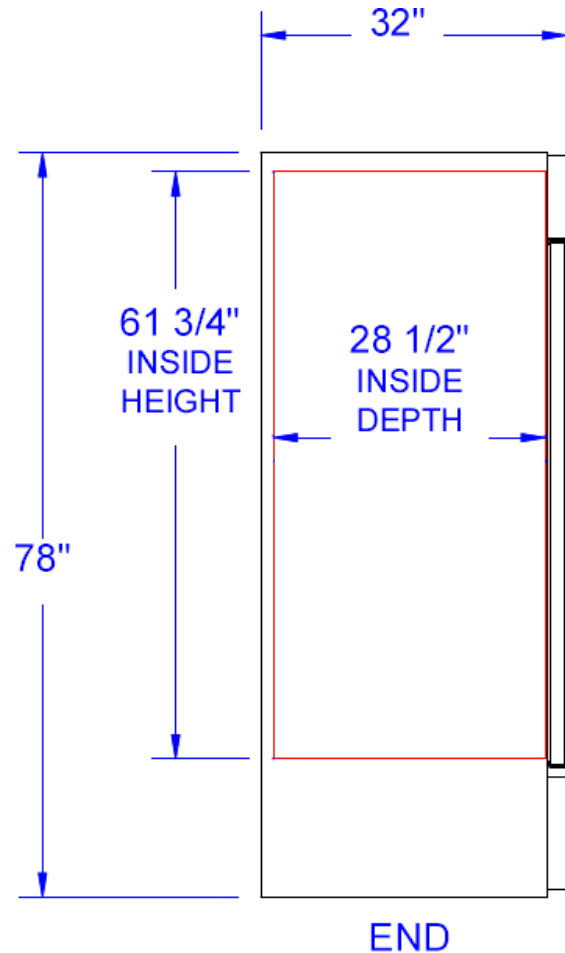
<b>Model Specified</b> _____	<b>Store#</b> _____
<b>Location</b> _____	<b>Quantity</b> _____



**LumaVue Glass Door Merchandisers**  
**Model: LV49**

<b>MODEL</b>	LV49
<b>EXTERNAL DIMENSIONAL DATA</b>	
Length Overall (inches)	52"
Length Overall (mm)	1321
Depth Overall (inches)	32"
Depth Overall (mm)	813
Height Overall— (inches)	78"
Height Overall— (mm)	1981
Number of doors	2
Depth with Door Open 90 °	60"
<b>INTERNAL DIMENSIONAL DATA</b>	
NET Capacity (cubic ft.)	49
NET Capacity (Liters)	1388
Internal Length Overall (inches)	47 16/25"
Internal Length Overall (mm)	1210
Internal Depth Overall (inches)	28 1/2"
Internal Depth Overall (mm)	724
Internal Height Overall—(inches)	61 3/4"
Internal Height Overall—(mm)	1569
*Internal Height to Evaporator Housing—(inches)	54"
*Internal Height to Evaporator Housing—(mm)	1372
Number of shelves	10
<b>ELECTRICAL DATA</b>	
Full Load Amperes 115/60/1	8.8 A
<b>ENERGY CONSUMPTION</b>	5.82 kWh/Day
<b>REFRIGERATION DATA</b>	
Horsepower	1/3
<b>WEIGHT DATA</b>	
Gross Weight (Crated lbs)	563
Gross Weight (Crated kg)	255

**PLAN VIEWS**



**Note:** Not all markings may apply to all model variations.  
 \*Internal height to evaporator housing.

**BEVERAGE-AIR® CORPORATION**

3779 Champion Blvd. • Winston-Salem, NC 27105 USA • (336) 245-6400 • Fax (336) 245-6453 • (888) 845-9800 • www.beverage-air.com

Specifications are subject to change without prior notice. 02/16