



60 Quart Planetary Floor Mixers

*The Perfect Mix of Value,
Performance & Durability*

This award-winning mixer features 3 fixed speeds and front-mounted touch pad controls with a digital timer.



Model

□ SP60

Standard Features

- Powerful 3 HP custom built motor
- Gear-driven, high-torque transmission
- Heat-treated hardened steel alloy gears & shafts
- Three fixed speeds
- Permanently lubricated transmission
- Thermal overload protection
- Front-mounted touch pad controls with 60-minute digital timer and last-batch recall
- Removable stainless steel, interlocking bowl guard with built-in, fully welded ingredient chute
- Safety interlocked bowl lift
- Rigid cast iron body
- Industry standard #12 attachment hub
- NSF approved enamel gray paint
- 6-foot cord and ground plug

Standard Accessories/Attachments

- 60 qt stainless steel bowl (#304 series)
- Aluminum flat beater
- Stainless steel wire whip
- Aluminum spiral dough hook
- Non-slip rubber feet
- Bowl truck

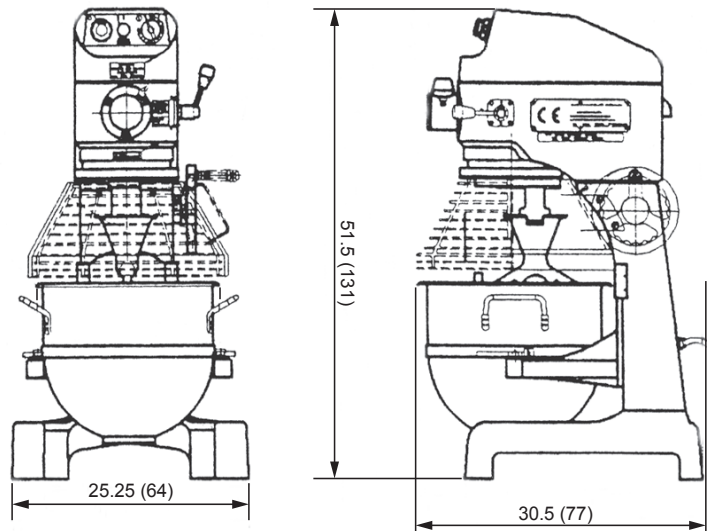
Warranty

- *Two years parts and labor*

Optional Accessories/Attachments

- Slicer/shredder/grater for #12 hub
- Meat grinder for #12 hub
- Stainless steel flat beater
- Stainless steel dough hook
- Stainless steel whip
- Bowl scraper
- Additional bowl truck
- 30 qt adapter kit
- 40 qt adapter kit
- Extended warranty

To select options see back



Drawings available through KCL at www.kclcad.com.

SPECIFICATIONS

Model	Motor	Volts	Amps	Transmission Type	Capacity	Controls	Agitator Speeds (RPMs)			Attachment Speeds (RPMs)		
							1st	2nd	3rd	1st	2nd	3rd
SP60	3 HP	220/60/1* 208/60/3*	23 9	Gear	60 qt / 57 liter	Front-mounted digital controls & timer	73	120	267	49	82	181

Cord & Plug: Attached 6-foot flexible 3-wire cord with molded plug fits a grounded receptacle. Single phase NEMA L6-30P (⚡) Three phase NEMA L15-20P (⚡)

***Specify voltage when ordering.**

DIMENSIONS | SHIPPING INFORMATION

Reinforced carton for shipping. The weight and dimensions of this reinforced carton are included below and may vary from shipment to shipment. **This product ships on a pallet. Freight class 85.**

Model	Overall Dimensions	Net Weight	Shipping Dimensions	Shipping Weight
SP60	25.25" w x 30.5" d x 51.5" h (64 cm x 77 cm x 131 cm)	572 lbs (260 kg)	46" w x 48" d x 65" h (122 cm x 122 cm x 165 cm)	690 lbs (313 kg)

Mixer is constructed of a rigid cast iron body with controls and 60-minute digital timer with last-batch recall. Mixer has 3 HP custom built motor with overload protection and gear-driven, high-torque, permanently lubricated transmission consisting of heat-treated hardened steel alloy gears and shafts. Mixer comes with 60 qt. stainless steel bowl, aluminum flat beater, stainless steel bowl truck and wire whip, aluminum dough hook and non-slip rubber feet. Interlocked with removable stainless steel bowl guard with fully welded ingredient chute. Mixer has #12 attachment hub and interlocked bowl lift. Mixer is NSF and ETL listed. Two year parts and labor warranty.

OPTIONAL MIXER ACCESSORIES AND HUB ATTACHMENTS

MIXER:

- XXBOWL-60** 60 qt stainless steel bowl
- XXBEAT-60** Alum. flat beater
- XXBEAT-60SS** S/S flat beater
- XXHOOK-60** Alum. dough hook
- XXWHIP-60** S/S wire whip
- XXHDWHIP60-4** Heavy-duty 4 mm S/S wire whip
- XXHDWHIP60-5** Heavy-duty 5 mm S/S wire whip
- XXSCR-60** scraper with mounting kit
- XXACC30-60** Adapter kit - 30 qt bowl, hook, beater and whip
- XXACC40-60** Adapter kit - 40 qt bowl, hook, beater and whip
- XBTRUCK-60** 60 qt heavy-duty bowl truck

HUB:

- XVSGH 9"** Slicer/Shredder/Grater housing only (no plates included-must select from plates listed on this sheet)
- XASP** Adjustable slicing plate (veg. only)
- XPH** Plate holder
- Shredding Plates:**
 - XSP332*** 3/32" (2.3 mm)
 - XSP316*** 3/16" (4.7 mm)
 - XSP14*** 1/4" (6.3 mm)
 - XSP516*** 5/16" (7.9 mm)
 - XSP12*** 1/2" (12.7 mm)
 - XGP*** Grating plate
- *Only 1 plate holder required**
- XMCA-SS** Meat grinder assembly (Polished stainless steel cylinder, worm gear, ring, and s/s pan. Includes knife, 3/16" plate, and pusher)

- XXCK** Chopper knife for XMCA-SS
- Chopper Plate Sizes Available:**

- CP02-12** 1/16" (2 mm)
- CP04-12** 5/32" (4 mm)
- CP05-12** 3/16" (5 mm)
- CP06-12** 1/4" (6 mm)
- CP08-12** 5/16" (8 mm)
- CP10-12** 3/8" (10 mm)
- CP12-12** 1/2" (12 mm)
- CP14-12** 9/16" (14 mm)
- CP16-12** 5/8" (16 mm)
- CP18-12** 11/16" (18 mm)
- CP00-12** Stuffing plate
- XST12** 1/2" Stuffing tube (mutton)
- XST34** 3/4" Stuffing tube (pork)

- FACTORY INSTALLED OPTION: XXCORR-60** Correctional package, includes tamper resistant external fasteners.

- EXTENDED WARRANTY SP-XD4060** Extended warranty for SP60 mixer, extends factory warranty to 3 years. **Available only at time of purchase.**