



CU1526 / CU2026 - 150lb / 200lb Self-Contained Ice Machine

Prodigy® Undercounter Cuber with Storage



CU1526 / CU2026

Features and Benefits

- Prodigy® undercounter cubers use significantly less energy and water than other cube ice machines, exceeding Federal energy efficiency regulations.
- AutoAlert™ control panel can communicate operating status and signal when it's time to descale, sanitize and more- making upkeep easier.
- The patented WaterSense adaptive purge control delivers maximum reliability by reducing scale buildup for a longer time between cleanings.
- All external panel components are crafted for optimal aesthetic appeal through superior fit and finish.
- Preventative maintenance is simpler than ever with easily-removed door, top panel and storage bin allowing clear access to all internal components and a diagnostic code display insuring the right fix the first time.
- Front removable air filter.
- Includes ice scoop, 6" adjustable legs and 6' power cord.

CU1526 / CU2026 - 150lb / 200lb Self-Contained Ice Machine



24 Hour Volume Production

	Air Cooled		Water Cooled			
	70°F/21°C 50°F/10°C	Air Water	90°F/32°C 70°F/21°C	70°F/21°C 50°F/10°C	Air Water	90°F/32°C 70°F/21°C
CU1526:	150/68		110/50	175/80		124/56
CU2026:	200/91		155/70	240/109		190/83
	lb/kg		lb/kg	lb/kg		lb/kg

Front Air Filter



Cube Ice

Common ice form, ideal for mixed drinks.



Small Cube
7/8" x 7/8" x 3/8"
(2.22 x 2.22 x .95 cm)



Medium Cube
7/8" x 7/8" x 7/8"
(2.22 x 2.22 x 2.22 cm)



Certification



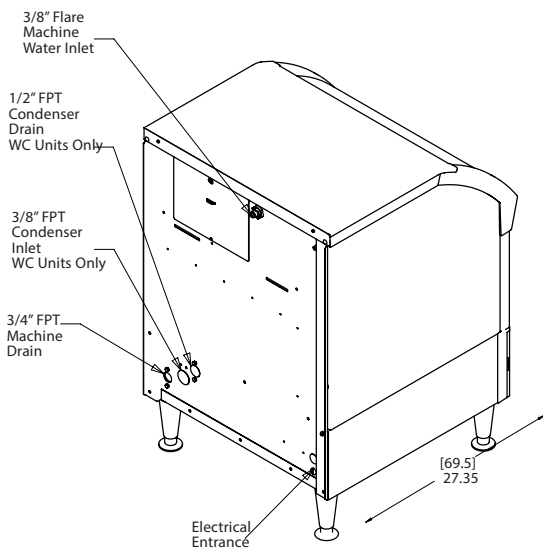
Warranty

- 3 years parts and labor on all components.
- 5 years parts and labor on the evaporator.
- 5 years parts on the compressor and condenser.
- Warranty valid in North, South & Central America for commercial installations.
- Contact factory for warranty in other regions.



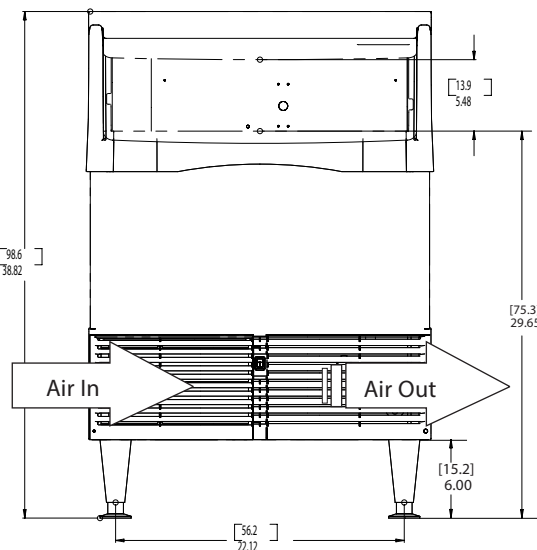
CU1526 / CU2026 - 150lb / 200lb Self-Contained Ice Machine

Prodigy® Undercounter Cuber with Storage



CU1526 / CU2026

Installation Note: Allow 6" at back for utility connections



CU1526/CU2026 front view



Specifications

Model Number*	Condenser Unit	Storage lb/kg	Basic Electrical Volts/Hz/Phase	Max. Fuse Size or HACR Circuit Breaker (amps)	Circuit Wires	Min. Circuit Ampacity	Energy Consumption kWh/100 lb (45.4 kg) 90°F(32°C)/70°F(21°C)	Water Usage Gallons/100 lb (liters/45.4 kg)		
								Potable 90°F(32°C)/70°F(21°C)	Condenser 90°F(32°C)/70°F(21°C)	
Cube Size: medium or small										
med.	CU1526MA-1	Air	80/36	115/60/1	15	2	Cord	11.5	18.0/68.2	-
	CU1526MW-1	Water	80/36	115/60/1	15	2	Cord	8.8	18.0/68.2	160/606
	CU2026MA-1	Air	80/36	115/60/1	15	2	Cord	9.7	18.0/68.2	-
	CU2026MA-32	Air	80/36	208-230/60/1	15	2	Cord	9.7	18.0/68.2	-
sm.	CU1526SA-1	Air	80/36	115/60/1	15	2	Cord	11.5	18.0/68.2	-
	CU1526SW-1	Water	80/36	115/60/1	15	2	Cord	8.8	18.0/68.2	160/606
	CU2026SA-1	Air	80/36	115/60/1	15	2	Cord	9.7	18.0/68.2	-
	CU2026SW-1	Water	80/36	115/60/1	15	2	Cord	6.6	18.0/68.2	180/682



All Models

Dimensions (W x D x H):

Unit: 26" x 27 3/8" x 33" *
(66.0 x 69.5 x 83.8 cm)
* Add 6" for legs.

Shipping Carton: 29" x 30" x 37"
(73.7 x 76.2 x 94.0 cm)

Shipping Weight: CU1526: 150lb / 68kg
CU2026: 175lb / 80kg

BTUs per hour: CU1526: 3,100
CU2026: 3,900

Refrigerant: R-404A



Accessories

Model Number	Description
KLP8S	Kit 6 inch leg SS
KPUFM26	Kit Prodigy undercounter floor mount 26 inch for CU1526 - CU2026 (add .5" to height)

Scotsman recommends all ice machines have water filtration. See Scotsman water filter specification sheet for details.



Operating Requirements

	Minimum	Maximum
Air Temperatures	50°F (10°C)	100°F (38°C)
Water Temperatures	40°F (4.4°C)	100°F (38°C)
Remote Cond. Temps	-20°F (-29°C)	120°F (49°C)
Water Pressures	20 PSIG (1.4 bar)	80 PSIG (5.5 bar)
Electrical Voltage	-5%	+10%

Specifications and design are subject to change without notice.

CU1526 / CU2026 - 150lb / 200lb Self-Contained Ice Machine